

# PCA pit

## for Airports and Aircraft Hangars

THE UNIQUE DESIGN OF TDA'S PCA PIT CATERS FOR OPTIMAL STORAGE OF THE HOSE, EASY ACCESS TO THE PCA CONNECTION DEVICE AND MAXIMUM PROTECTION OF THE HOSE, THANKS TO THE BENDED GUIDING TUBES..

TDA's PCA pits are available for all PCA hose technologies.

Upon opening the pit, the aircraft connector is presented above ground, at hand level.



## PCA pit with Pop Out System

### CHARACTERISTICS OF THE PIT:

- Anti-corrosion system (aluminum or epoxy painted steel)
- Spiral PCA hose. Maximum length depending on the depth of the pit and on the compressibility of the hose.
- Opening and closing assisted by counterweights.
- PCA hose storage guiding by pit internal guiding tubes
- Automatic locking in open and in closed position
- Secure manual unlocking
- The flap is fitted with a non-slip grooved sheet

### STANDARD FEATURES:

- Pop Out system presenting the hose above ground
- Tulip shaped PCA hose extraction guide

### OPTIONAL EXTRAS:

- Separate maintenance hatch for underground access



CONNECTING THE AIRCRAFT  
ON THE GROUND

# PCA pit

## CHARACTERISTICS AND OPTIONS

### Safety :

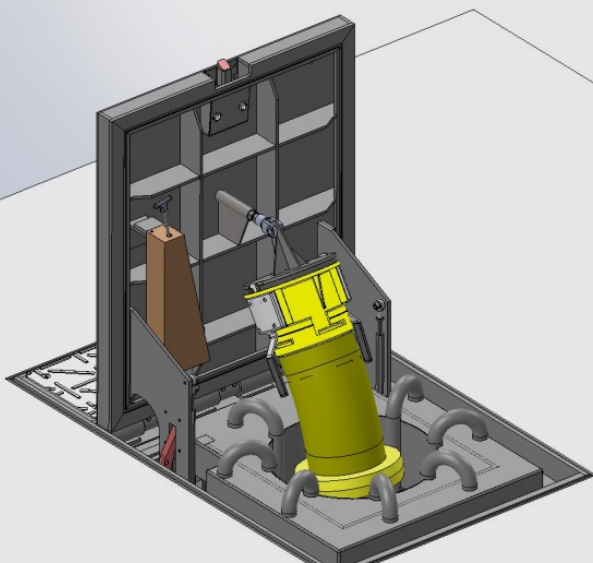
- Automatic hatch locking system in open position
- Manual hatch unlocking system away from any dangerous area
- Non-slip grooved sheet on hatch
- Connector presented above the ground

### Reliability:

- Anti-corrosion components (aluminum / stainless steel / epoxy painted steel) or Hot Dip Galvanised
- Opening and closing operated by counterweights
- Watertight hatch -IP 55
- Hose guiding system keeping hose away from concrete and sharp edges

### Maintenance:

- Specific hatch for easy access to underground pit
- Easy access to hose fixing for removal



### Main dimensions :

- 14" hose with spring steel spiral protection
- Standard 8" aircraft connector



CONNECTING THE AIRCRAFT  
ON THE GROUND

7 rue des Livraindières  
28100 DREUX • France  
Tél. + 33 2 37 51 41 72  
Fax. + 33 2 37 51 97 99  
info@tda-lefebure.com  
www.tda-lefebure.com