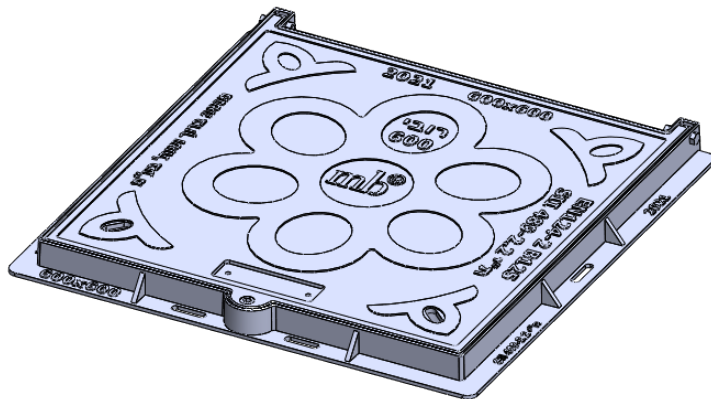
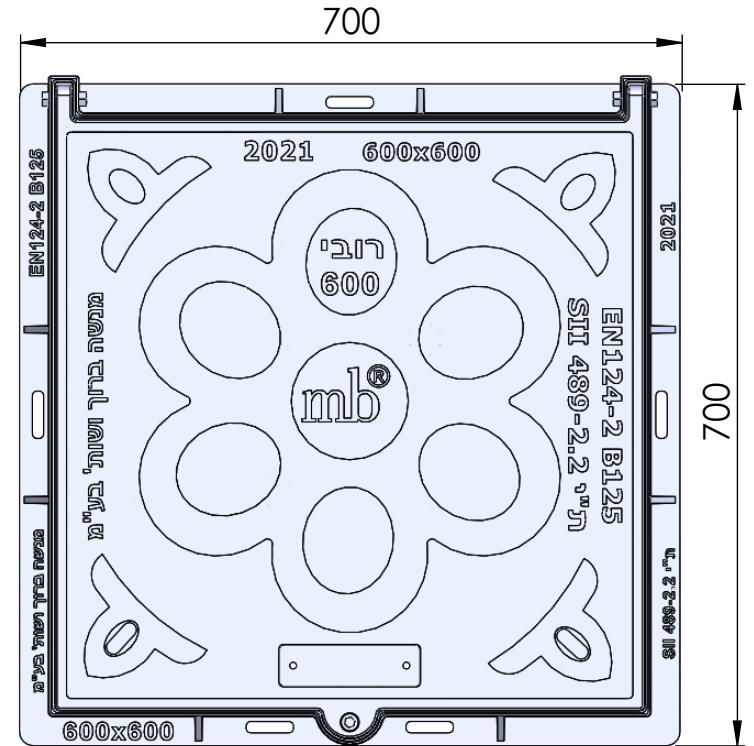
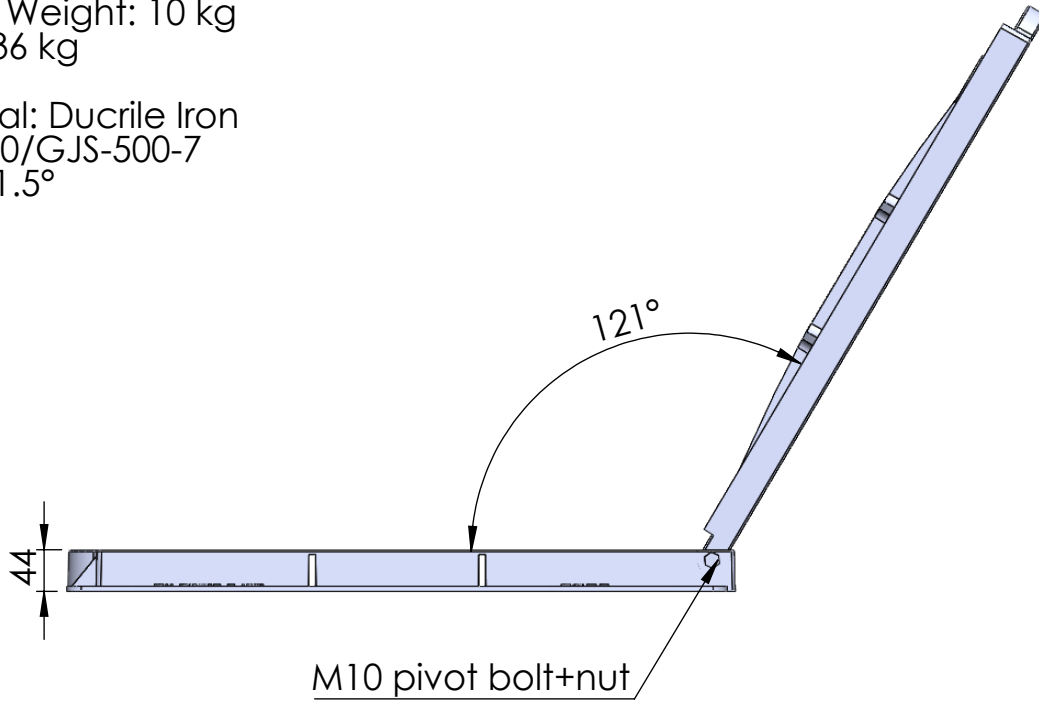



Ruby B125 600x600 Locks+Hinge
Screw: M12x32x1.75 - S.S 304

מדגם רשום
זכויות יוצרים שמורות

Cover Weight: 26 kg
Frame Weight: 10 kg
Total: 36 kg

Material: Ducrile Iron
GGG50/GJS-500-7
Draft: 1.5°



| | | | |
|------------------------------------|------------------|---|---|
| UNLESS OTHERWISE SPECIFIED, MODEL: | Ruby 600 B125 |  | MENASHE BARUCH & PARTNERS LTD. INFRASTRUCTURE PRODUCTS www.mb-ltd.co.il |
| DIMENSIONS ARE IN MILLIMETERS | MATERIAL: | D.I | TITLE: |
| | Weight: | 36 kg | Assembly |
| | Scale: | | DWG NO. 1 |