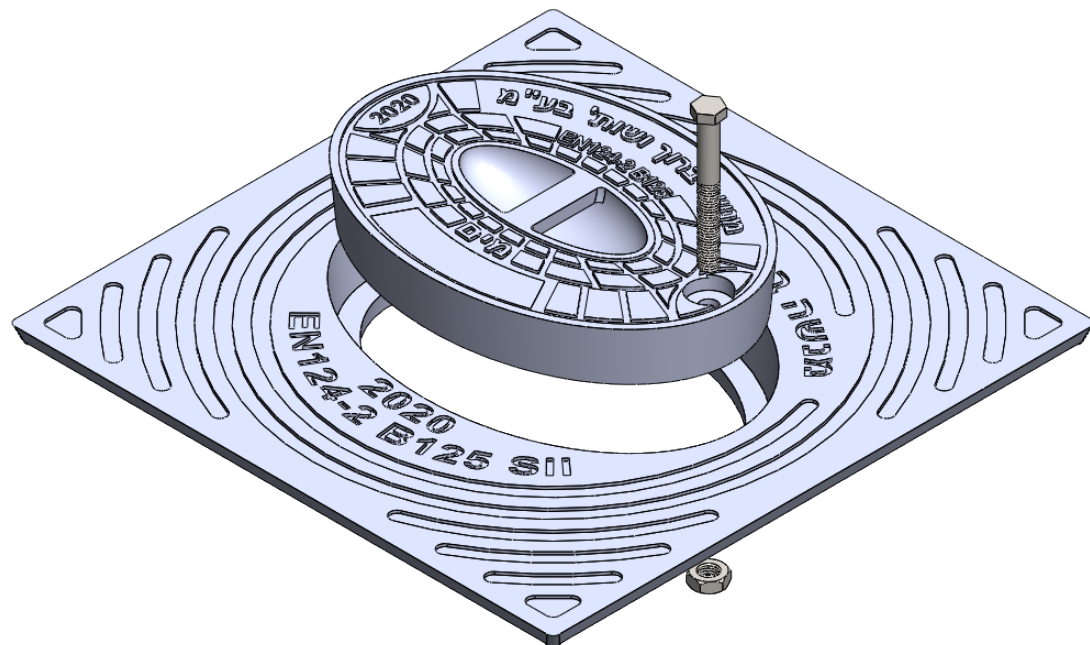
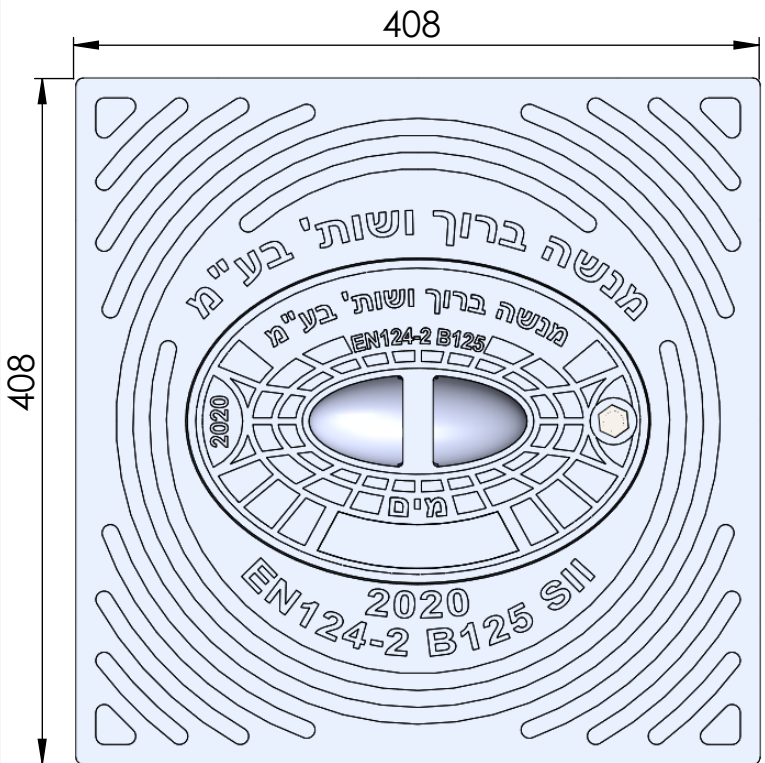
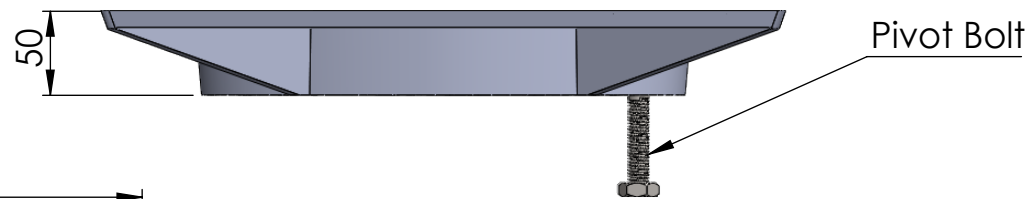



Oval B125 Cover + Bolt Lock

מדגם רשום
זכויות יוצרים שמורות

Cover Weight: 4.5 Kg
Frame Weight: 12 Kg
TOTAL: 16.5



<small>UNLESS OTHERWISE SPECIFIED:</small> DIMENSIONS ARE IN MILLIMETERS	<small>MODEL:</small> Oval Cover B125			MENASHE BARUCH & PARTNERS LTD. INFRASTRUCTURE PRODUCTS www.mb-ltd.co.il		
				<small>MATERIAL:</small> Ductile Iron	<small>TITLE:</small> Assembly	
				<small>Weight:</small> 16.5 Kg		
				<small>Scale:</small> 1:1	<small>DWG NO.</small> 1	