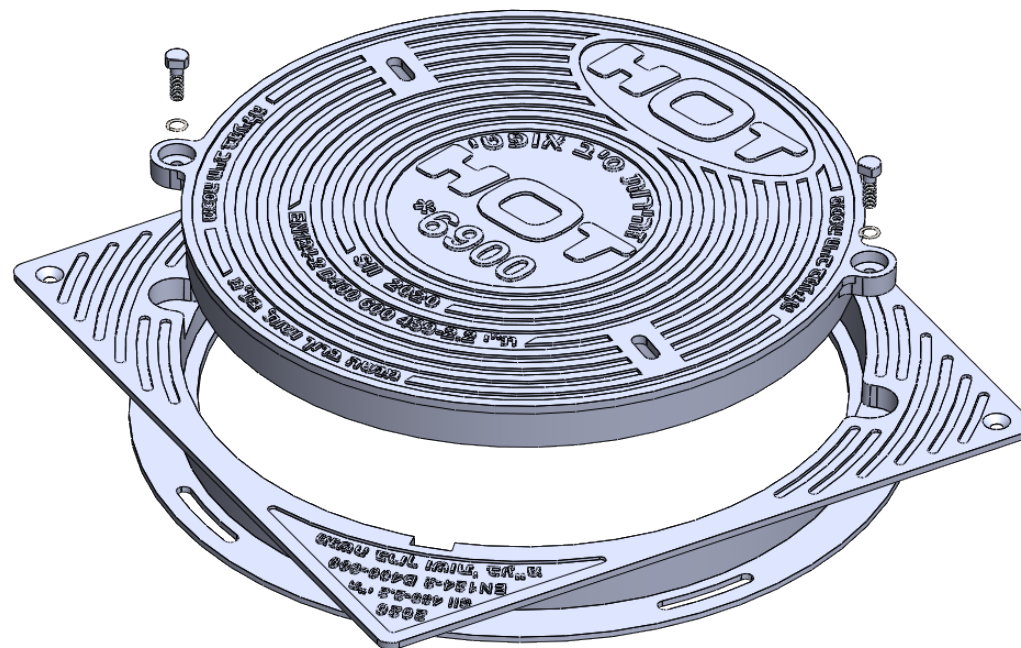
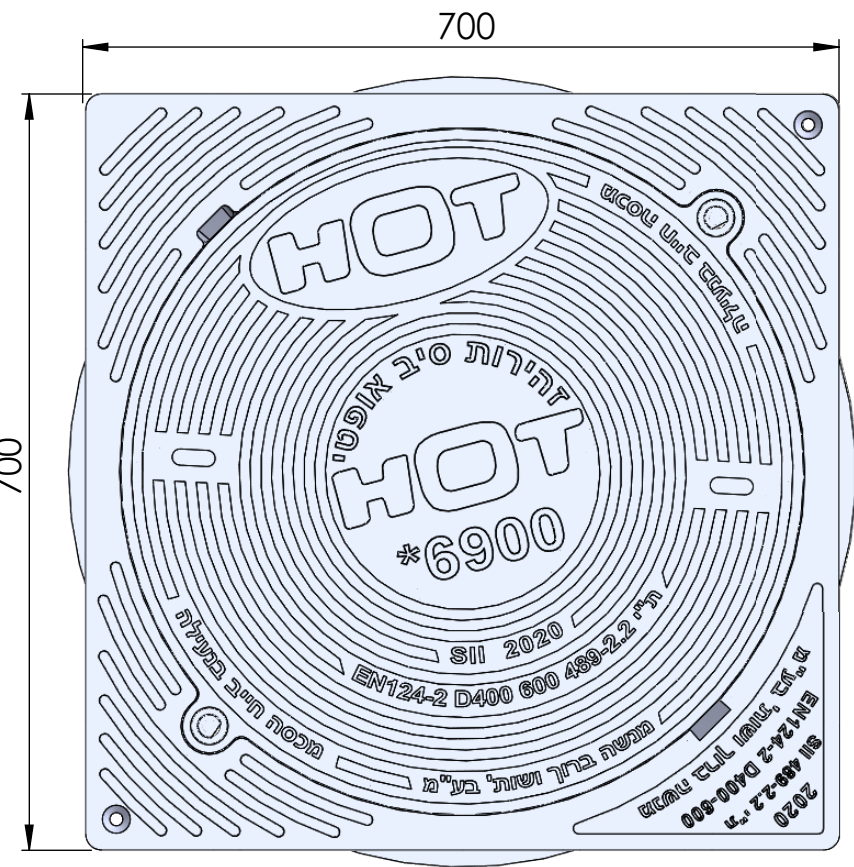
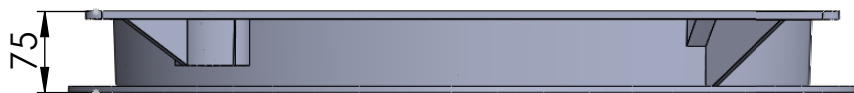



HOT D400-600+Square Frame
 Locks: M12 Stainless steel 304 opposite lock+Spring Washer

מדגם רשום
 זכויות יוצרים שמורות

Cover Weight: 33KG
 Frame Weight: 17KG
 TOTAL: 50KG
 Ductile Iron GGG50



UNLESS OTHERWISE SPECIFIED, DIMENSIONS ARE IN MILLIMETERS	MODEL:		MENASHE BARUCH & PARTNERS LTD.
	HOT D400-600 Square Frame		INFRASTRUCTURE PRODUCTS
			www.mb-ltd.co.il
	MATERIAL:	D.I GGG50	TITLE:
	Weight:	50KG	
	Scale:		DWG NO.