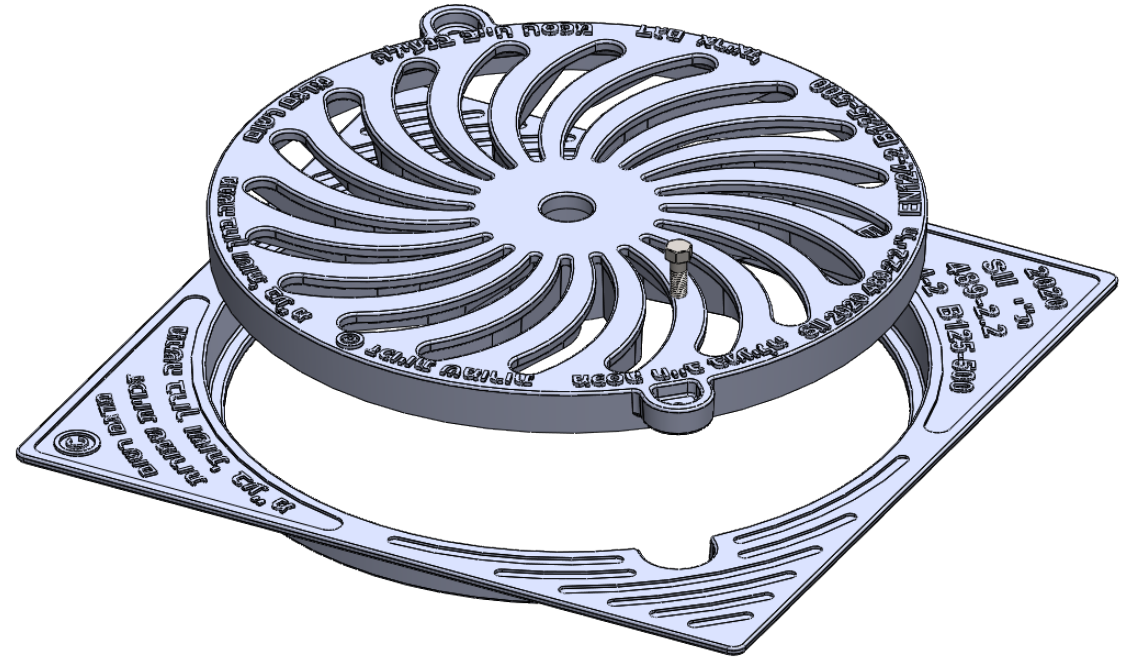
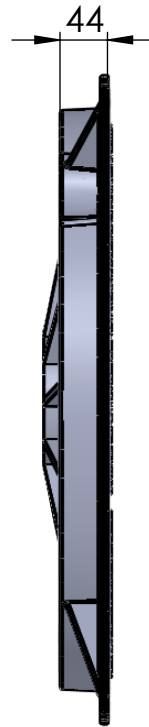
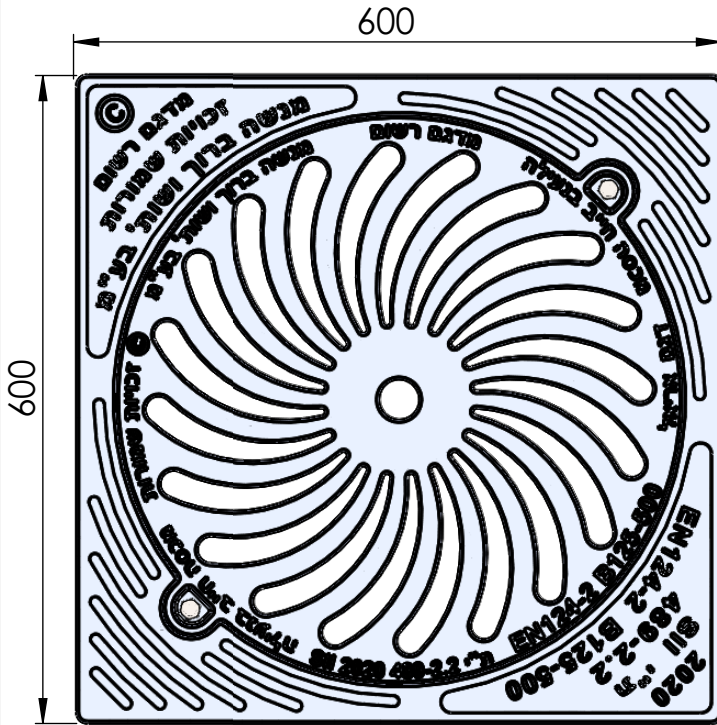



"Ariel" Grating B125-500 + Locks
 Square Frame
 MB4027500B
 Grating Weight: 20 Kg
 Frame Weight: 11 Kg
 Total: 31 Kg

מדגם רשום
 זכויות יוצרים שמורות



UNLESS OTHERWISE SPECIFIED: DIMENSIONS ARE IN MILLIMETERS	MODEL:	Ariel Grating B125-500 Square Frame	 MENASHE BARUCH & PARTNERS LTD. INFRASTRUCTURE PRODUCTS www.mb-ltd.co.il		
	MATERIAL:	Ductile Iron		TITLE:	Assembly
	Weight:	31 Kg		DWG NO.:	1