

D400-500 "Gihon Nikuz"

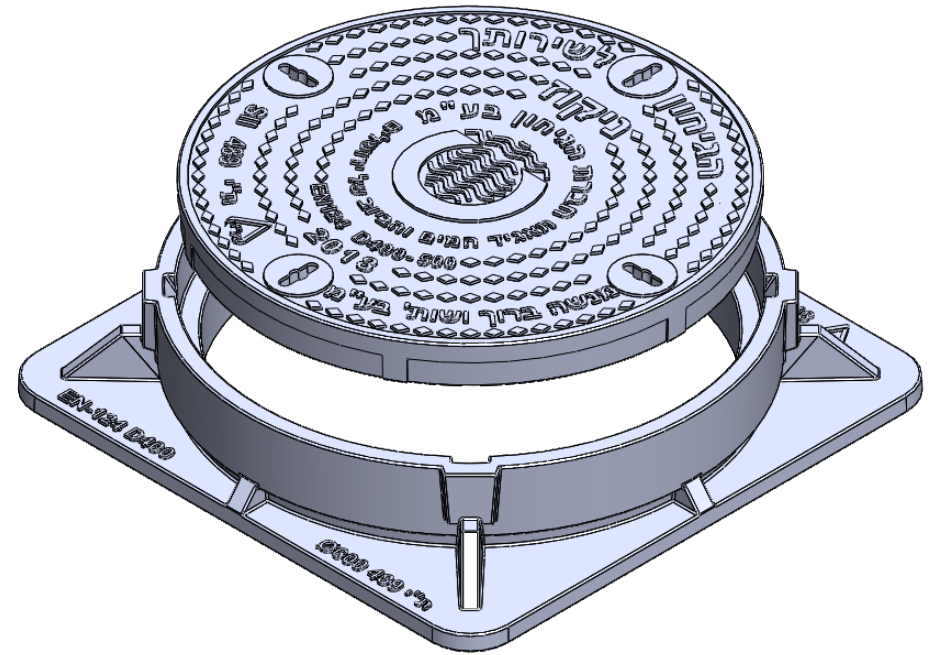
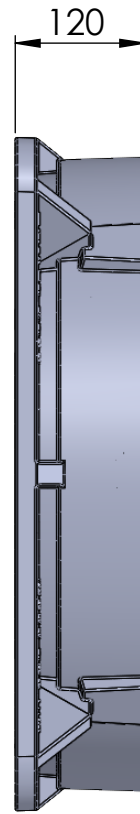
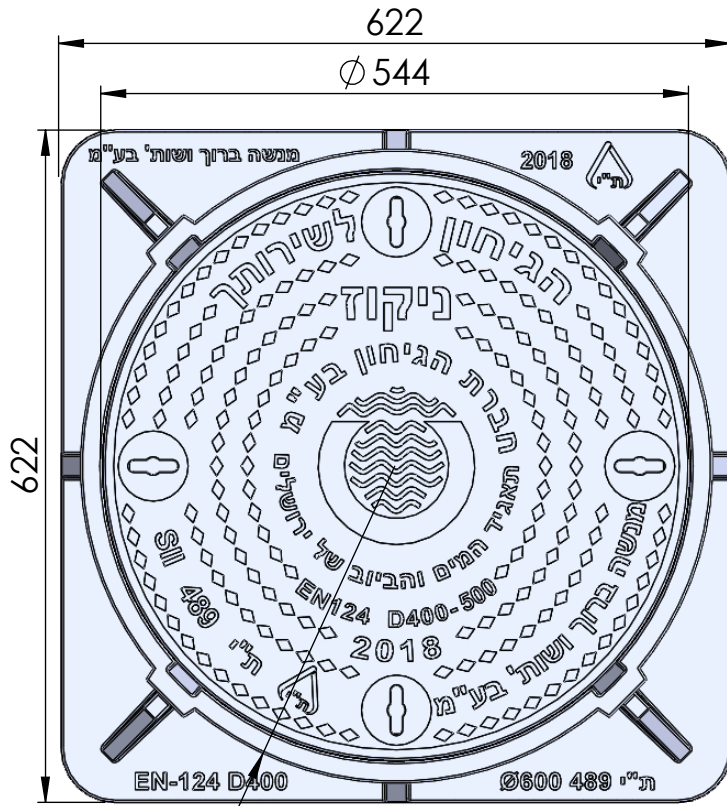
MB402510D

Cover Weight: 48.5 Kg Ductile Iron

Frame Weight: 63.5 Kg Grey Iron

TOTAL: 112 Kg

מדגם רשום
זכויות יוצרים שמורות



UNLESS OTHERWISE SPECIFIED:

MODEL:

DIMENSIONS ARE IN
MILLIMETERS

D400-500 Cover
הג'יחון ניקוז חדש 2018



MENASHE BARUCH & PARTNERS LTD.
INFRASTRUCTURE PRODUCTS
www.mb-ltd.co.il

MATERIAL:

TITLE:

Assembly

Weight: 112 Kg

Scale:

DWG NO.

1

All Rights Reserved

D

D

C

C

B

B

A

A

6

5

4

3

2

1