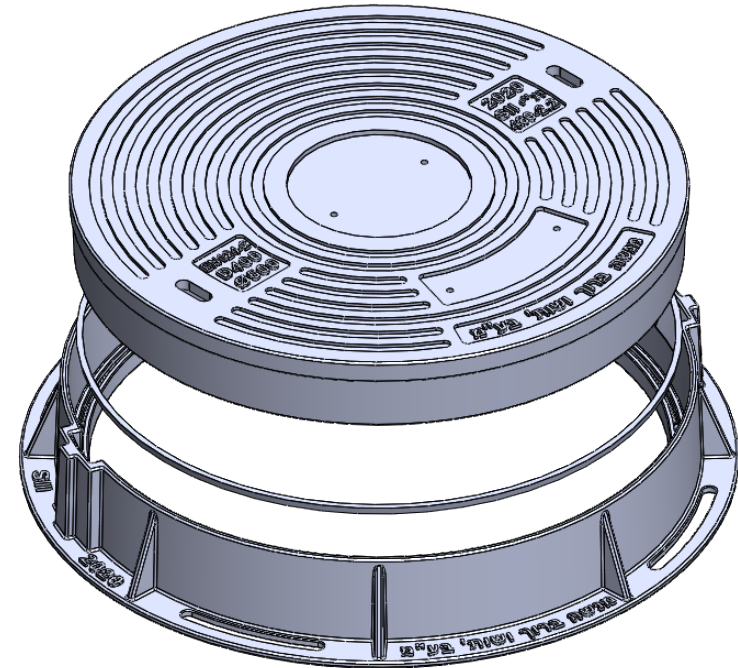
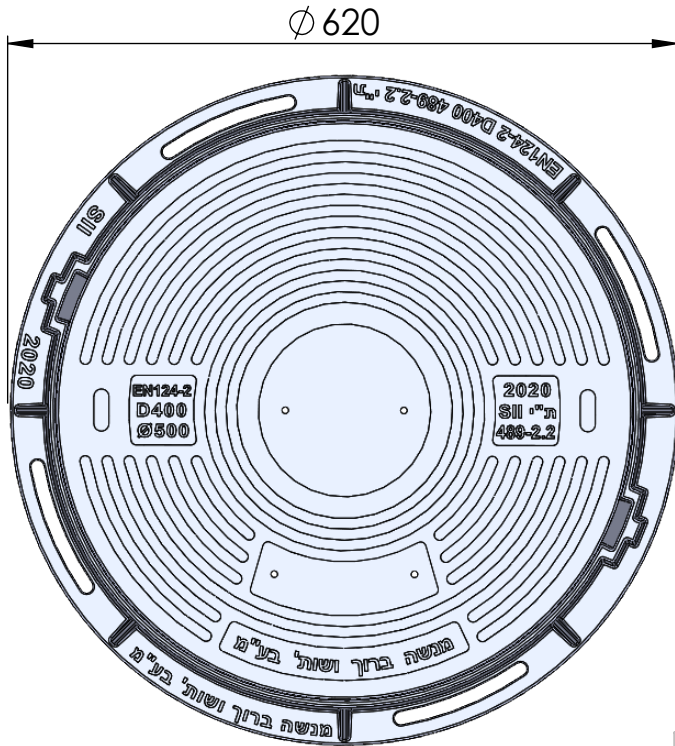



MBS D400-500+Round Frame

Cover Weight: 40 Kg D.I  
 Frame Weight: 17.5 Kg D.I  
 TOTAL: 57.5 Kg

מדגם רשום  
 זכויות יוצרים שמורות



UNLESS OTHERWISE SPECIFIED: MODEL:			<b>MENASHE BARUCH &amp; PARTNERS LTD.</b> <b>INFRASTRUCTURE PRODUCTS</b> <a href="http://www.mb-ltd.co.il">www.mb-ltd.co.il</a>
DIMENSIONS ARE IN MILLIMETERS			
		MATERIAL: Ductile Iron	TITLE: Assembly
		Weight: 57.5 Kg	
		Scale:	DWG NO. 1